



**SIEMENS**

*Ingenuity for life*

# NX CAM NC Simulation add-on

## A complete kinematic machine environment from Siemens Digital Industries Software

### Benefits

- G-code driven simulation provides greater accuracy and confidence
- Visual synchronization minimizes cycle times

### Features

- Toolpath driven simulation
- G-code driven simulation
- Machine tool builder
- Multichannel synchronization

### Summary

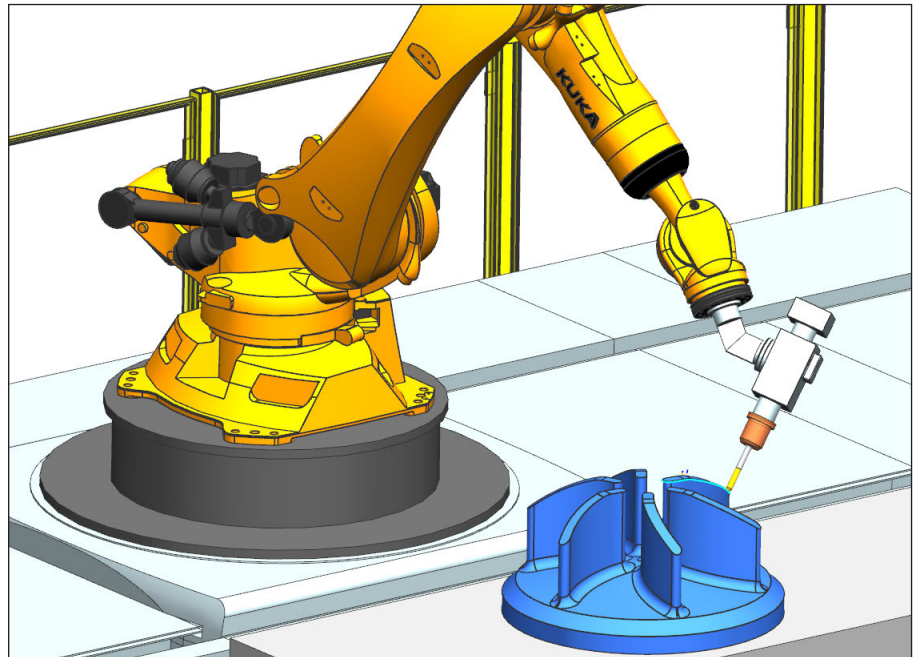
The NX™ CAM NC Simulation add-on software tool provides a complete kinematic machine environment for visualizing complex motion. Collision checking and multichannel synchronization are simulated at the g-code level for the most accurate results.

### G-code driven simulation

NX CAM drives the machine simulation with postprocessed output to take account of any program content provided by the postprocessor. Home positions, special tool change motion and other content can be inserted by the postprocessor, so surprises are minimized by making sure to simulate the posted g-code.

### Toolpath driven simulation

You can drive the machine simulation straight from the internal toolpath records for the fastest simulation result.



# NX CAM NC Simulation add-on

## Machine tool builder

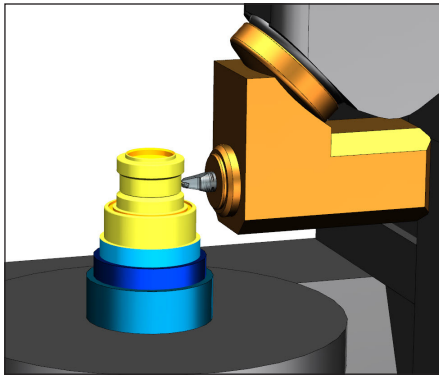
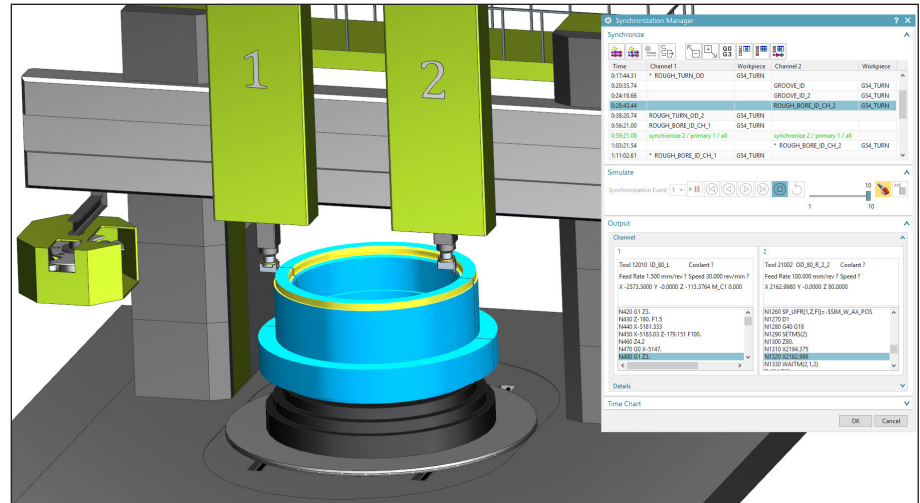
You can assemble components for machine tool models and establish kinematics by specifying pivot points, motion dependencies and travel limits.

## Integrated simulation

You can perform machine simulation right from the programming environment so information is at hand when you need it.

## Multichannel synchronization

NX helps you to shrink cycle times for multichannel machines by optimizing sync codes. The visual system displays timelines and simulates multichannel motion to ensure that minimum cycles are achieved without interference.



Siemens Digital Industries Software  
[siemens.com/software](https://www.siemens.com/software)

Americas +1 314 264 8499  
 Europe +44 (0) 1276 413200  
 Asia-Pacific +852 2230 3333